

Dot

B&T



Dot

Chair - Bar Stool

Indoor



Dot

Chair - Bar Stool

Indoor



Dot

Chair - Bar Stool

Dot

Focusing on the training and seminar rooms of companies and social areas like cafes and restaurants, Dot stands out as a chair series with functional solutions in a minimal form.

Indoor

Dot's seat shell is wood veneered plywood. While the front legs lean perpendicular to the floor, the back legs have an angular line inclined outwards.



Designer

Alp Nuhoğlu - 2020

Dot

Chair - Bar Stool

Indoor





Dot

Chair - Bar Stool

Indoor



Having an optional armrest in its four-legged alternative, the seat can be a wood shell or an upholstered one, according to the user's choice.



Following a fluid line, the back of the shell finalises with an oval cut. Integrating a cushion on the backrest not only provides comfortable back support for the user, but it also reveals an iconic look in adding this detail



Dot

Chair - Bar Stool

Indoor



Dot

Chair - Bar Stool

Indoor



Dot

Chair - Bar Stool





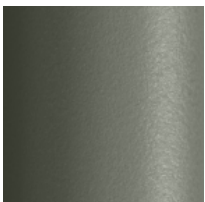




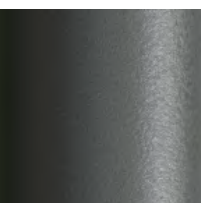
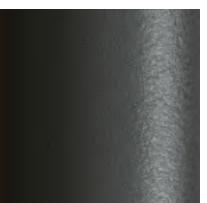
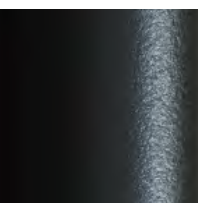
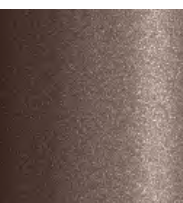
Indoor

Finish Options

A rich range of material choices is provided for Dot series to create the best match within interior style.

Metal Leg Finishes

Electrostatic Powder Coating

				
White RAL 9016	Silk Grey RAL 7044	Precious Sand	Taupe G 876	Nordic Lichen
				
Green Grey RAL 7009	Cement Grey RAL 7033	Beige Red RAL 3012	Terracotta RAL 8004	Pale Brown RAL 8025
				
Black Red RAL 3007	Grey G 458	Anthracite RAL 7016	Black RAL 9005	Bronze
				
Gold				

Wood Finishes

				
White RAL 110-1 (Ash)	Natural (Ash)	Silk Grey RAL 7044 (Ash)	Taupe G 876 (Ash)	Smoke Grey (Ash)
				
Cement Grey RAL 7033 (Ash)	Green Grey RAL 7009 (Ash)	Nordic Lichen (Ash)	Beige Red RAL 3012 (Ash)	Terracotta RAL 8004 (Ash)
				
Precious Sand (Ash)	Light Brown (Ash)	Pale Brown RAL 8025 (Ash)	Dark Brown (Ash)	Black Red RAL 3007 (Ash)
				
Walnut (Ash)	Grey G 458 (Ash)	Anthracite RAL 7016 (Ash)	Black RAL 9005 (Ash)	

Upholstery

Fabric, Leather, Artificial Leather.
COM and COL options are also available

	Plain	S-Up
textile fabric (mt)	0,45	0,6
real leather (m ²)	0,68	1

More options are downloadable in the catalogues

MATERIAL CATALOGUE 

FABRIC & LEATHER CATALOGUE 

Bar



Chair
with Arm

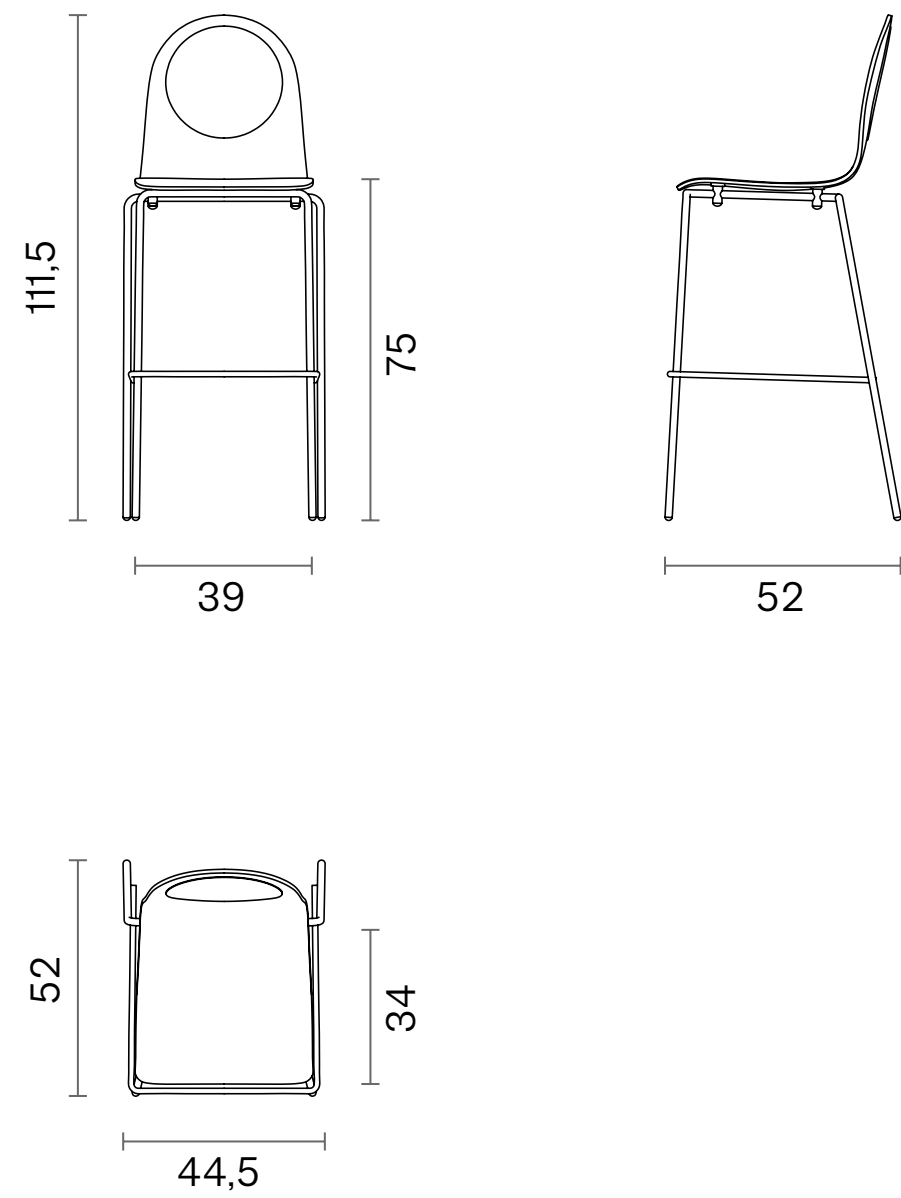


Chair
without Arm

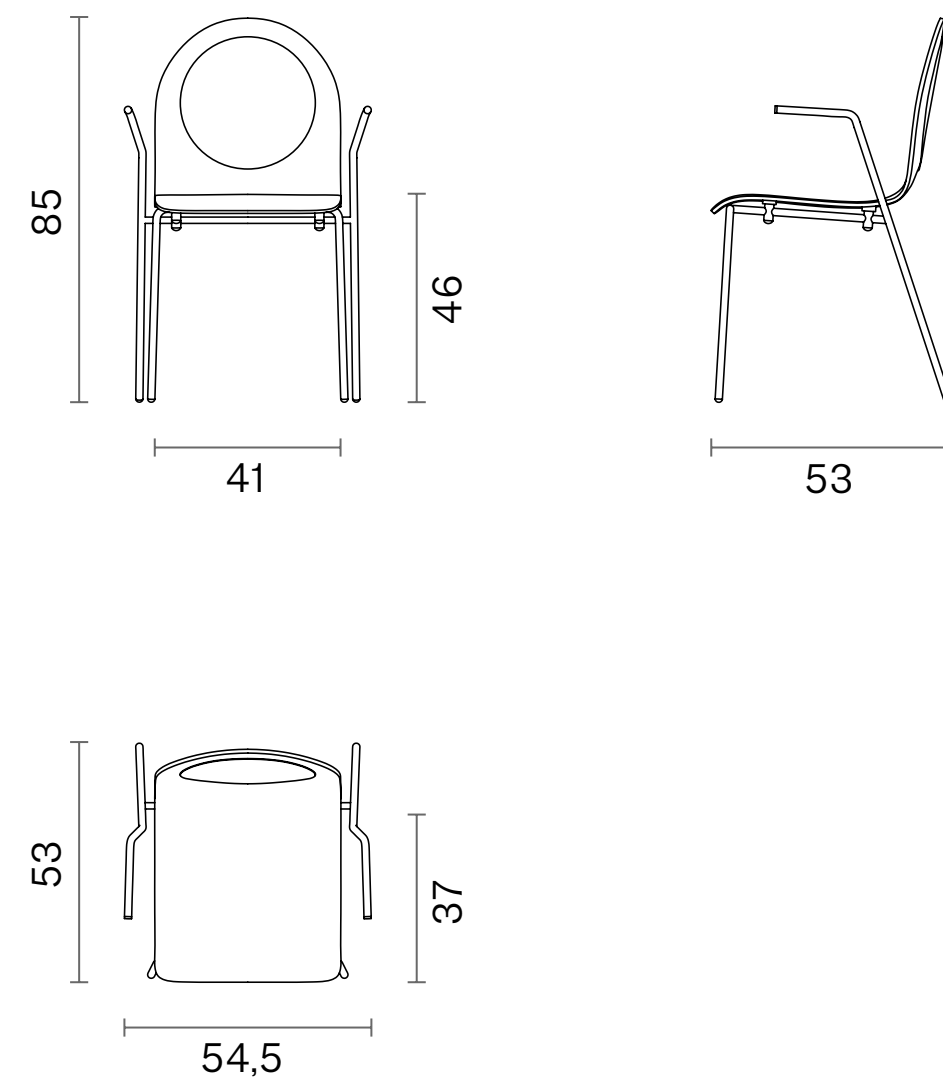


Dimensions (cm)

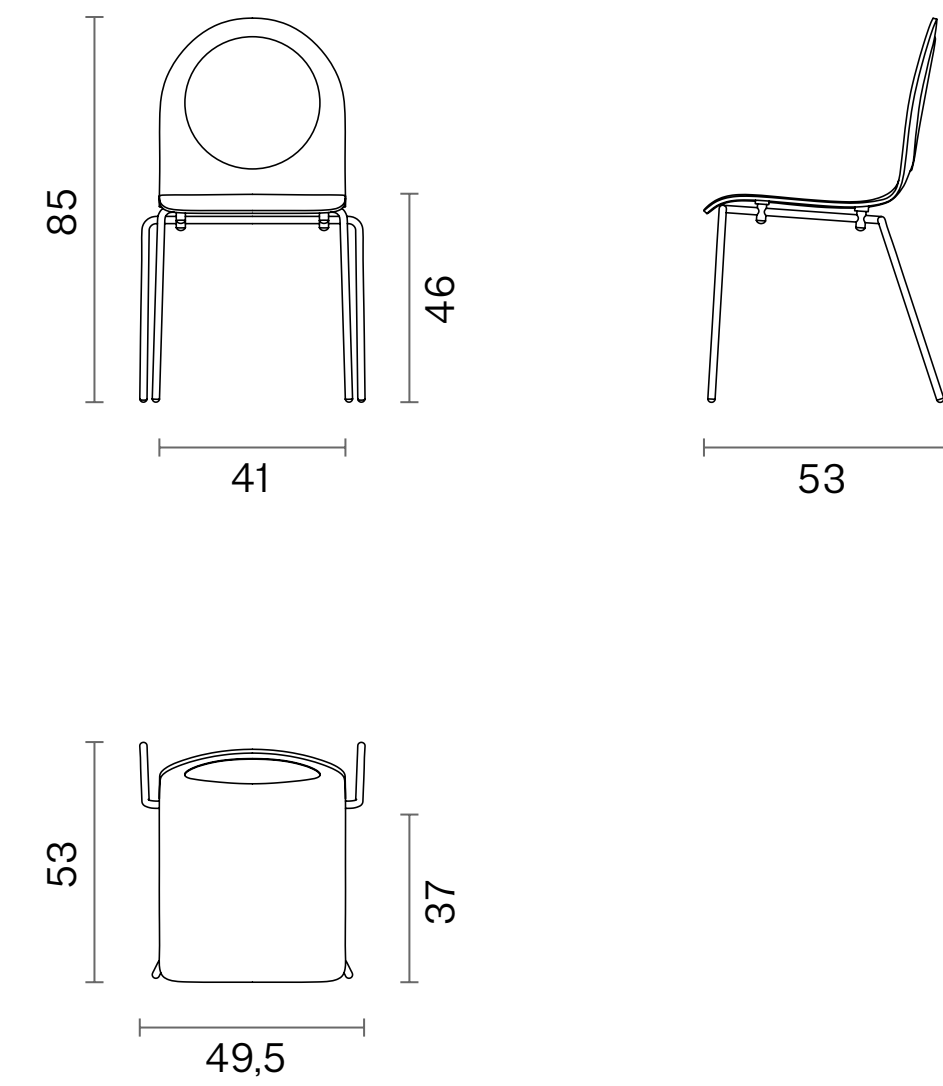
Bar



Chair
with Arm



Chair
without Arm



Downloads

2D & 3D FILES



PRODUCT IMAGES



CERTIFICATES



You can run this product with following system:



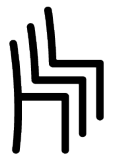

pCon
PLANNER



Dot

Chair - Bar Stool

Indoor

Technical Specifications		Chair		
Package Dimensions (cm) Quantity in box: 1	With Arm Without Arm	52x59x88 55x70x98		
Volume (m ³)	With Arm Without Arm	0,29 0,38		
Weight (kg)	With Arm Without Arm	5,7 5		
Seat / Back	10mm Plywood + HR Foam			
Base	With Arm Without Arm	Ø16mm Metal Tube + Electrostatic Powder Coated		
Stackable	With Arm	 4	 10	Stacking is not recommended for upholstered
	Without Arm	 10	 14	

Technical Specifications		Bar	
Package Dimensions (cm) Quantity in box: 1	Bar Kitchen	56x60x115 54x54x105	
Volume (m ³)	Bar Kitchen	0,39 0,31	
Weight (kg)	Bar Kitchen	9 8	
Structure	Solid Ashwood + Metal / Solid Beechwood		

[CARE AND MAINTENANCE](#)


Care and maintenance instructions & warranty certificate **click and download**



Dot

Chair - Bar Stool

Indoor



www.bt.design

Showroom

Istanbul
istanbul@bt.design

Ankara
ankara@bt.design

London
london@bt.design

Factory

Istanbul
fabrika@bt.design

Bulgaria
europe@bt.design

Export

export@bt.design